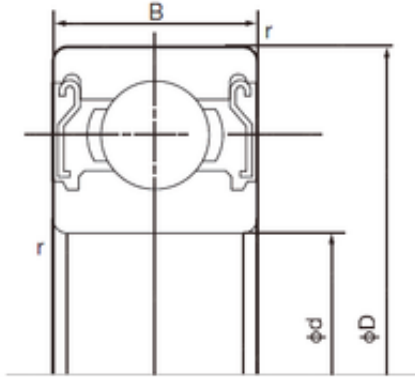




China 19mm Plywood Sheets Supplier

Nachi Quest series 6208ZZE



6208ZZE Bearing 2D drawings and 3D CAD models

Bearing No. 6208ZZE

Size	40x80x18 mm
Bore Diameter	40 mm
Outer Diameter	80 mm
Width	18 mm
d	40 mm
D	80 mm
B	18 mm
C	18 mm
r min.	1.1 mm
da min.	47 mm
Da max.	73 mm
ra max.	1.0 mm
Weight	0.366 Kg
Basic dynamic load rating (C)	29,1 kN
Basic static load rating (C0)	17,9 kN
(Grease) Lubrication Speed	8200 r/min
Category	Single Row Ball Bearings
Inventory	0.0
Manufacturer Name	NACHI
Minimum Buy Quantity	N/A
Weight / Kilogram	0
Product Group	B00308
Enclosure	2 Metal Shields
Precision Class	ABEC 1 ISO P0
Maximum Capacity / Filling Slot	No



China 19mm Plywood Sheets Supplier

Rolling Element	Ball Bearing
Snap Ring	No
Internal Special Features	No
Cage Material	Steel
Internal Clearance	C0-Medium
Inch - Metric	Metric
Long Description	40MM Bore; 80MM Outside Diameter; 18MM Outer Race Width; 2 Metal Shields; Ball Bearing; ABEC 1 ISO P0; No Filling Slot; No Snap Ring; No Internal Special Features; C0-Medium Internal Clearance; Stee
Other Features	Deep Groove
Category	Single Row Ball Bearing
UNSPSC	31171504
Harmonized Tariff Code	8482.10.50.68
Noun	Bearing
Keyword String	Ball
Manufacturer URL	http://www.nachiamerica.com
Weight / LBS	0.807
Bore	1.575 Inch 40 Millimeter
Inner Race Width	0 Inch 0 Millimeter
Outside Diameter	3.15 Inch 80 Millimeter
Outer Race Width	0.709 Inch 18 Millimeter
Bore Type	Cylindrical Bore
Configuration	Single Row
Bore Size	40 mm
Width	18 mm
Fillet Radius/Chamfer	1.1 mm
Dynamic Load Rating	29,100 N
Static Load Rating	17,900 N



China 19mm Plywood Sheets Supplier

Limiting Speed - Grease	8,700 rpm
Factor fo	14.0
Radial Clearance	0.006 to 0.020 mm
da (min)	47 mm
Da (max)	73 mm
ra (max)	1 mm